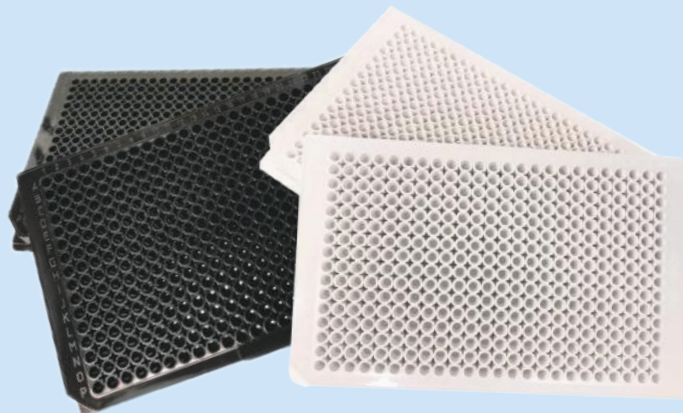




# KeyTec® 384-Well Flat Low-Volume Microplates

**PP, Solid, Non-treated, No lid**

**The Key Of Your Drug Discovery**



**Shanghai VKEY Biotechnologies Co.,Ltd.**

## 01 Introduction

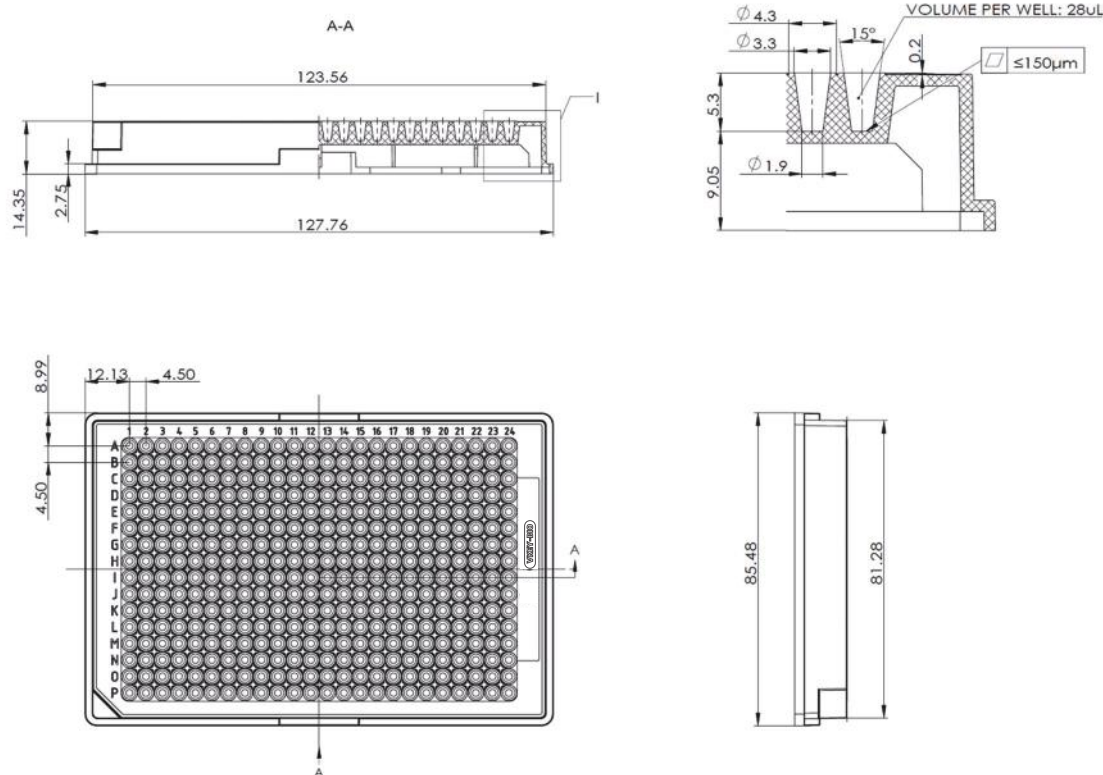
KeyTec® 384-Well Flat Low-Volume Microplates, are designed for reaction volumes below 20  $\mu\text{L}$ . Their compact size bring the detection probe of the reader closer to the higher liquid level, resulting in a significant reduction in signal loss. This not only minimizes the required reaction volume but also contributes to cost savings, making it an efficient and budget-friendly choice for your research requirements.

### Applications:

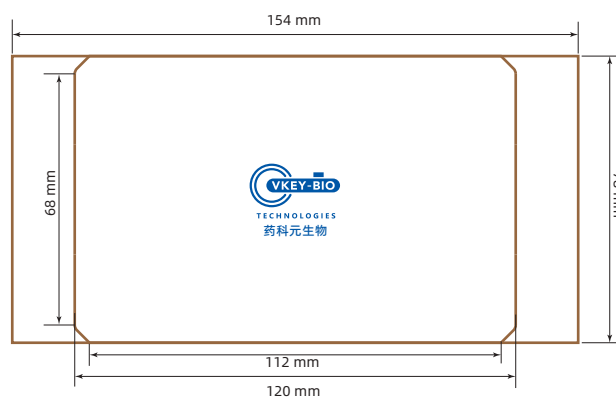
KeyTec® 384-Well White Flat Low-Volume Microplates, designed for versatile signal detection, including TR-FRET, Luminescence, Alphascreen, Radiometric, and more.

KeyTec® 384-Well Black Flat Low-Volume Microplates, designed for versatile signal detection, including Fluorescence, FP, Luminescence, and more.

## 02 Design Drawing



### Tip: Design Drawing of KeyTec® Microplates Top Seals:

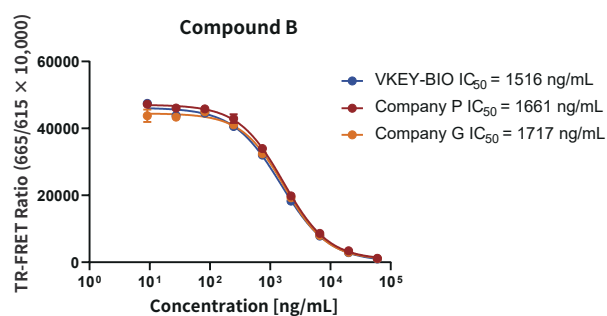


## 03 Plates Information

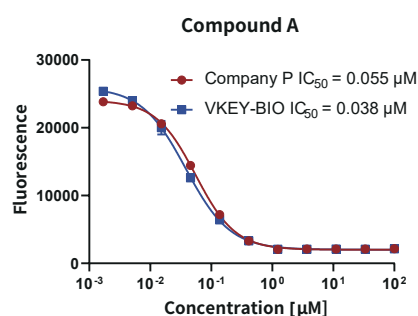
Items	Description	Items	Description
Automation Compatible	Yes	Unit Size	40 Pc/Box
Coating Treatment	Non-treated	Well Shape	Low-Volume
Material	Polystyrene	Total Volume	28 $\mu$ L
Wells Number	384 well plate	Working Volume	4 $\mu$ L - 25 $\mu$ L
Color/Applications	White/ TR-FRET, Luminescence, Alphascreen, Radiometric	Color/Applications	Black/ Fluorescence, FP, Luminescence

## 04 Performance

KeyTec® 384-Well White Flat Low-Volume Microplates



KeyTec® 384-Well Black Flat Low-Volume Microplates



**Tip:** The displayed data is for demonstration purposes only, actual results may vary due to differences in the performance of reader used.

## 05 Product List

Brand	CAT	Description	Size
VKEY-BIO	M1000202N	KeyTec® Clear Microplates Top Seals	100 Pc/Box
VKEY-BIO	M1000301N	KeyTec® White Microplates Bottom Seals	50 Pc/Box
VKEY-BIO	M1000302N	KeyTec® White Microplates Bottom Seals	100 Pc/Box
VKEY-BIO	M1000402N	KeyTec® Tin Foil Microplates Top Seals	100 Pc/Box
VKEY-BIO	M1000102N	KeyTec® Fluorescent High-Transparency Microplate Top Seals	100 Pc/Box
VKEY-BIO	M2000102N	KeyTec® 384-Well White Flat Low-Volume Microplates, PP, Solid, Non-treated, No lid	40 Pc/Box
VKEY-BIO	M2000202N	KeyTec® 384-Well Black Flat Low-Volume Microplates, PP, Solid, Non-treated, No lid	40 Pc/Box

## **About VKEY-BIO**

Shanghai VKEY Biotechnologies Co.,Ltd.

Address: 3F, Building 2, 898 Halei Road, Pudong New District, Shanghai.

Website: <https://www.vkeybio.com>

Email: [business@vkeybio.com](mailto:business@vkeybio.com)